

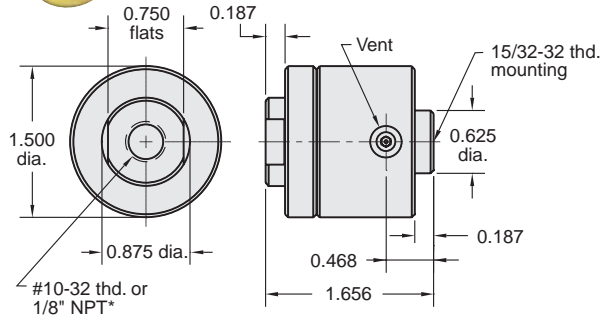


# VALVE ACTUATORS

## Pilot Actuators



Single Acting Spring Return Pilot Actuator



**Bore Size:** 1.250" dia.

**Input Pressure:** 150 psig max.

**Mounting:** 15/32-32 female thread to mount to Clippard Minimatic® valves and components; no spacers or washers are required when assembled to any Clippard valve; may be used with 15018-2 mounting bracket

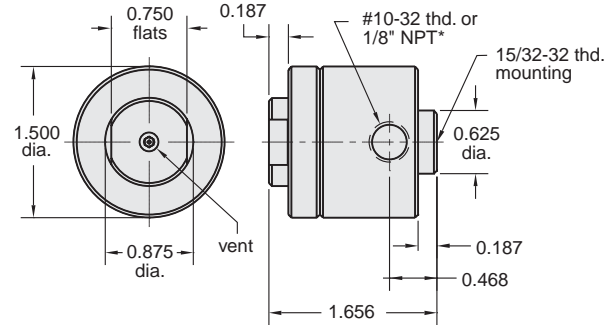
**Force Factor:** 1.2

| Part No. | Description                                     |
|----------|---|
| MPA-10   | Single Acting, Spring Return Actuator, #10-32   |
| MPA-10P  | Single Acting, Spring Return Actuator, 1/8" NPT |

## Vacuum Actuators



Single Acting Spring Return Vacuum Actuator



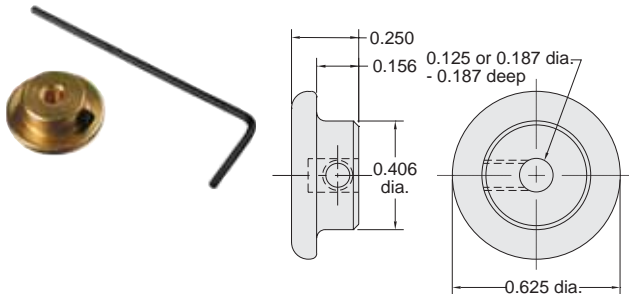
**Input Pressure:** 30 in. Hg vacuum

**Mounting:** 15/32-32 female thread to mount to Clippard Minimatic® valves and components; no spacers or washers are required when assembled to any Clippard valve; may be used with 15018-2 mounting bracket

| Part No. | Description                                     |
|----------|---|
| MVA-10   | Single Acting, Spring Vacuum Actuator, #10-32   |
| MVA-10P  | Single Acting, Spring Vacuum Actuator, 1/8" NPT |

## Push Button Actuators, 5/8"

Round Solid Brass 5/8" dia. Push Button



**Use:** Mounts directly on valve stem for manual operation of valve; prevents overtravel of valve stem by providing a positive stop

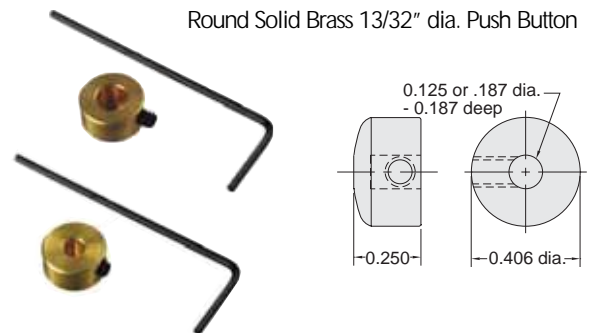
**Mounting:** 1/8" or 3/16" dia. mounting hole fits valve stems; locks in place by set screw (Allen wrench furnished)

**Note:** Individually packaged or bulk quantities available

| Part No. | Description                         |
|----------|-------------------------------------|
| 11916-1  | .5/8" Brass Push Button, 1/8" Stem  |
| 11916-2  | .5/8" Brass Push Button, 3/16" Stem |

## Push Button Actuators, 13/32"

Round Solid Brass 13/32" dia. Push Button



**Use:** Mounts directly on valve stem for manual operation of valve; small size permits attachment to valve before valve is mounted through 15/32" dia. hole; prevents overtravel of valve stem by providing a positive stop

**Mounting:** 1/8" or 3/16" dia. mounting hole fits valve stems; locks in place by set screw (Allen wrench furnished)

**Note:** Individually packaged or bulk quantities available

| Part No. | Description                           |
|----------|---------------------------------------|
| 11916-3  | .13/32" Brass Push Button, 1/8" Stem  |
| 11916-4  | .13/32" Brass Push Button, 3/16" Stem |